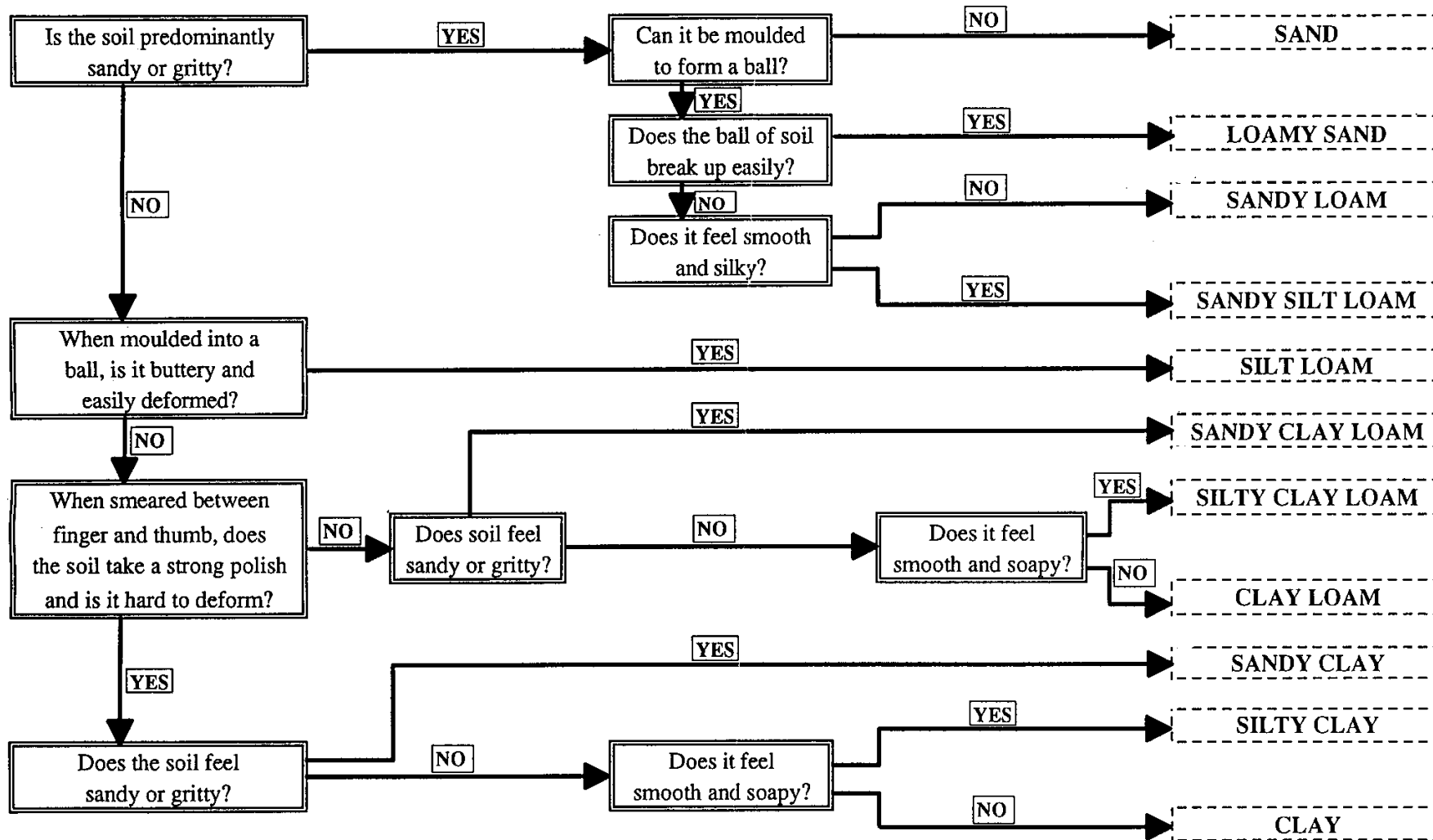


Take about 10ml of soil, wet up gradually while kneading between fingers and thumb until there is enough moisture to hold the soil together and for the soil to exhibit its maximum cohesion.



Identification by hand texture